


UK Installation instructions
DE Montageanleitung
CZ Montážní návod
DK Monteringsvejledning
EE Paigaldusjuhend

FI Asennusohje
FR Notice de montage
HU Szerelési útmutató
IT Istruzioni di montaggio
LT Montavimo Instrukcijos

LV Instalācijas instrukcija
NO Monteringsanvisning
PL Instrukcja montażu
SE Installationsanvisning
RU ИНСТРУКЦИЯ ПО МОНТАЖУ

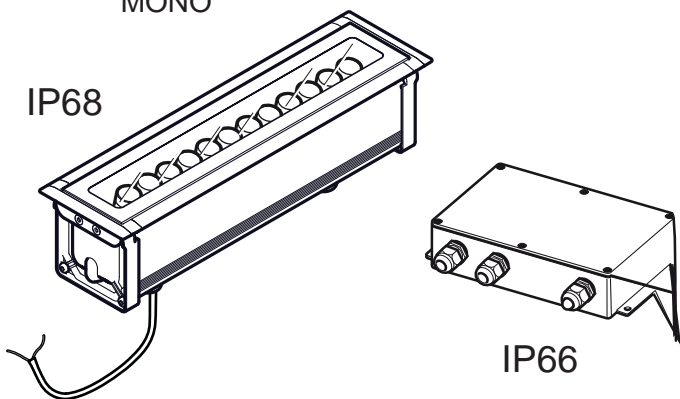
TYPE : SATIN 2 MRE 350 RGBW DMX KIT / MONO KIT
 SATIN 2 MRE 650 RGBW DMX KIT / MONO KIT
 SATIN 2 MRE 950 RGBW DMX KIT / MONO KIT
 SATIN 2 MRE 1250 RGBW DMX KIT / MONO KIT

 **Produit source lumineuse BLEU:**
 Ne pas fixer la source lumineuse en cour de fonctionnement à moins de 9m (distance oeil/source)
Product BLUE light source:
 Do not fix the light being functioning less than 9m.

The light source of this luminaire is not replaceable; when the light source reaches its end of life the whole luminaire shall be replaced

MONO

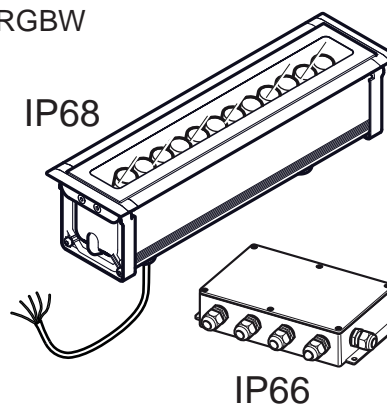
IP68



IP66

RGBW

IP68



IP66

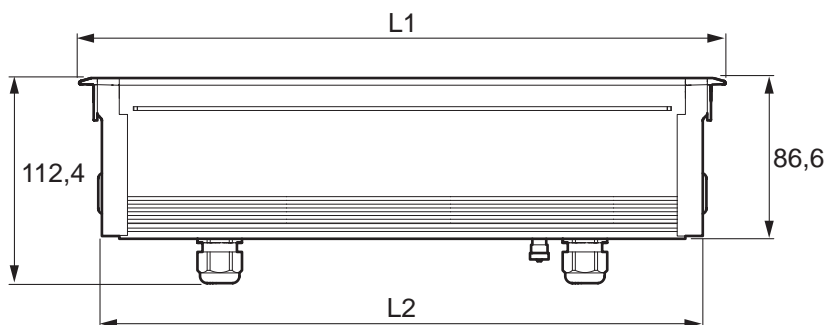
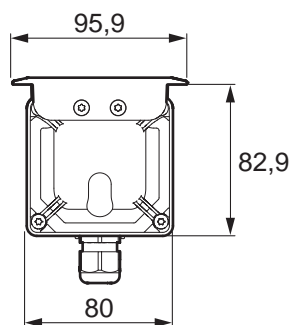
 LED CLASS II 

IP 65/ IP68 1m IK10 


6 Kv SURGE PROTECTION
 ta max 25 °C

Rated maximum surface temperature T65°C

1



NLLR - Dimensions du produit

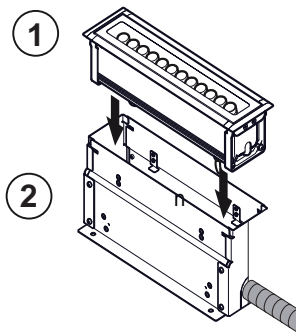
	L1	L2	
350	353,9	334	2 kg
650	653,9	634	3,3 kg
950	953,9	934	4.7 kg
1250	1253,9	1234	6,1 kg

L1 = Configuration product for single installation
 L2 = Configuration product for in line installation

2

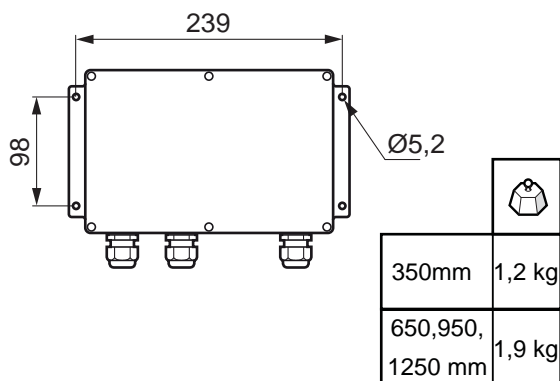
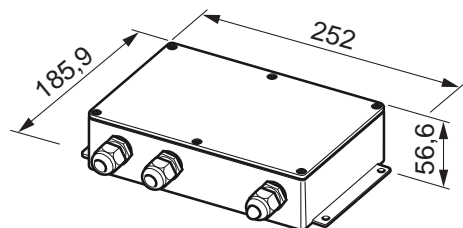
MONO / RGBW

①	②
SATIN2 MRE L350	96272110 SATIN2 MRE L350 RBOX
SATIN2 MRE L650	96272111 SATIN2 MRE L650 RBOX
SATIN2 MRE L950	96272112 SATIN2 MRE L950 RBOX
SATIN2 MRE L1250	96272113 SATIN2 MRE L1250 RBOX

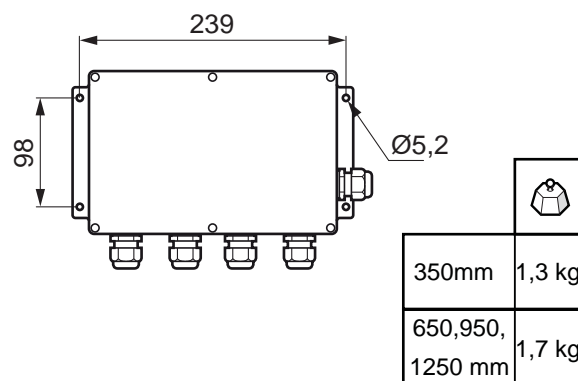
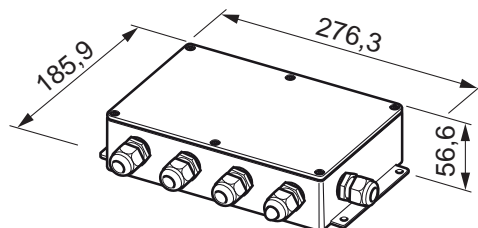


3

MONO



RGBW



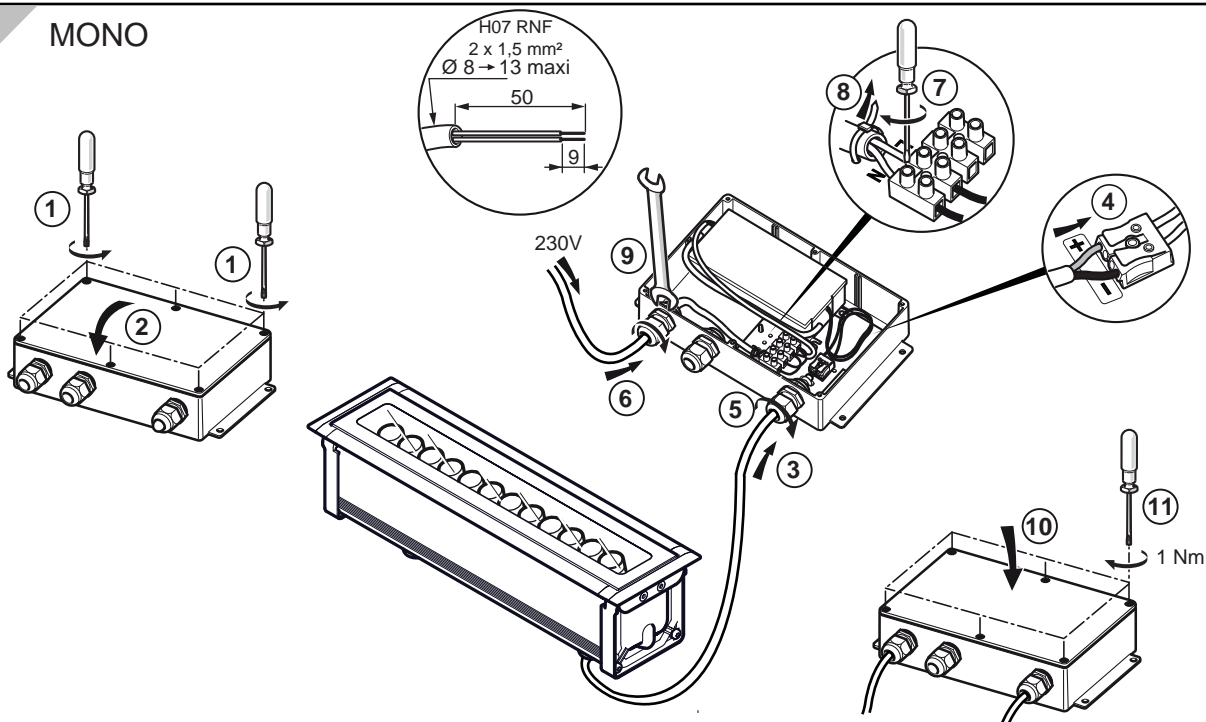
CLASS II

IP66

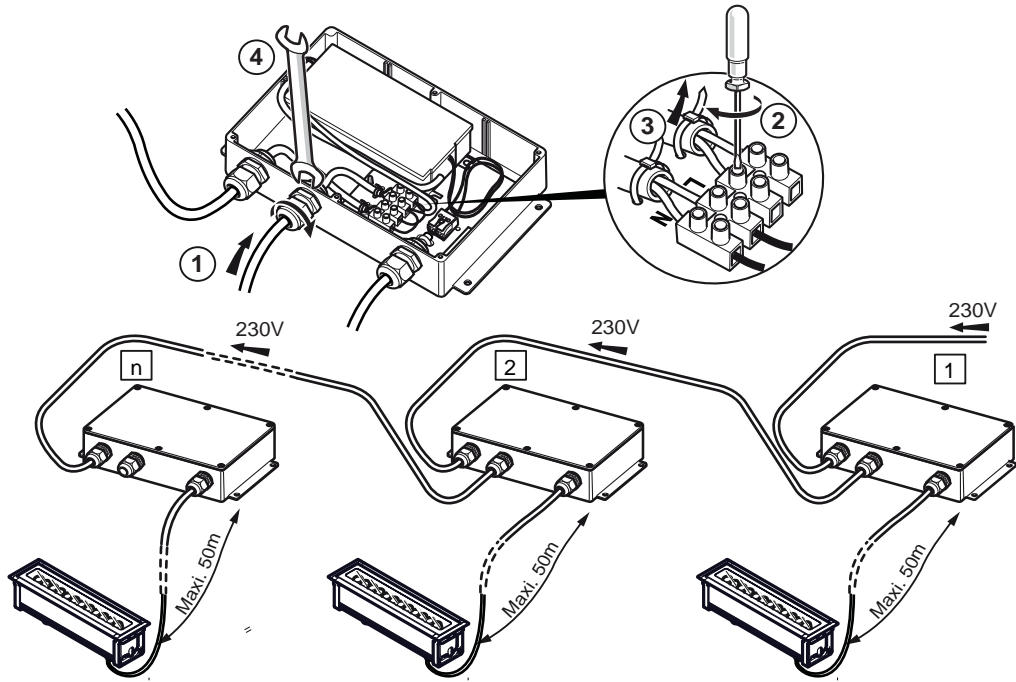
IK08

4

MONO

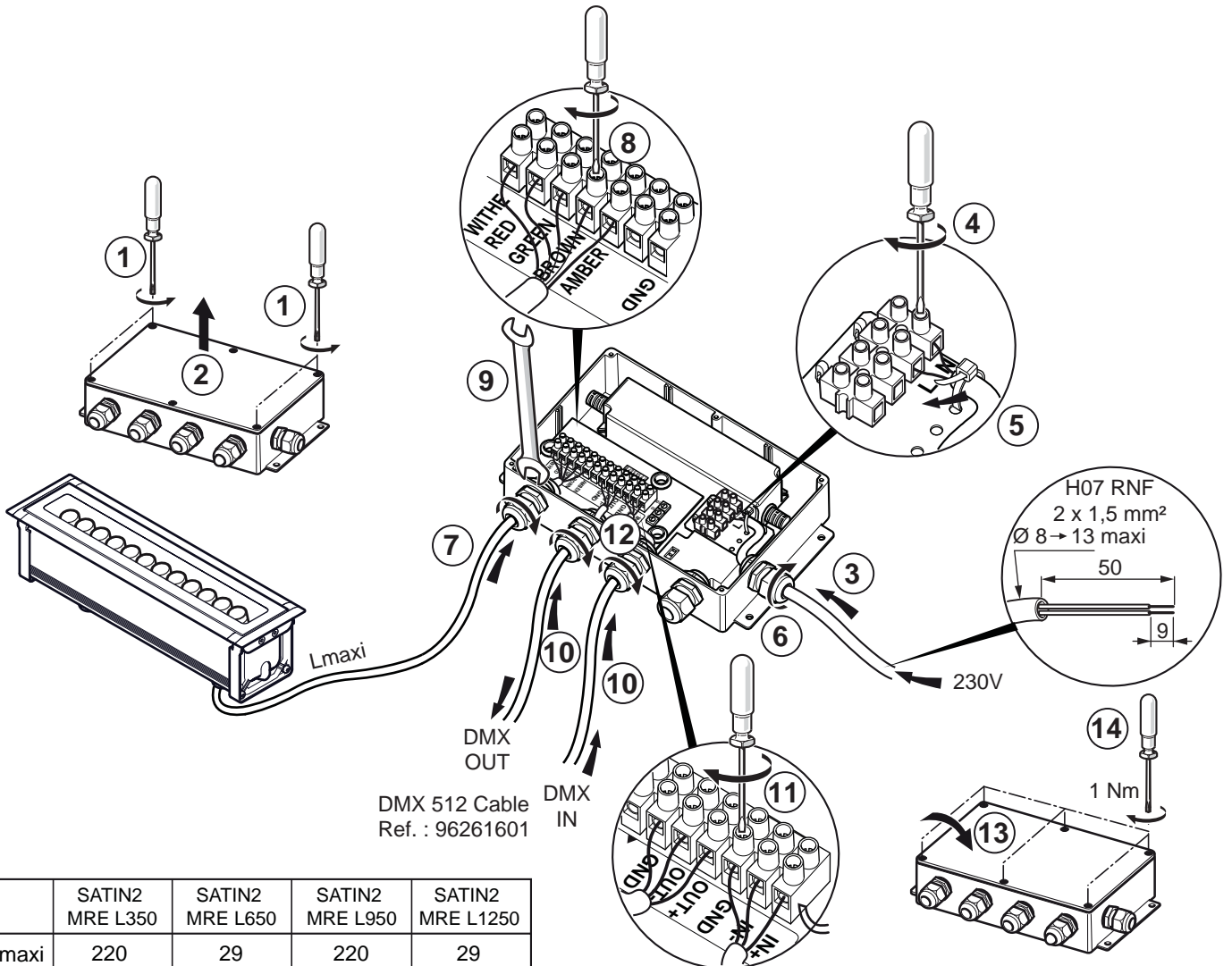


5 MONO

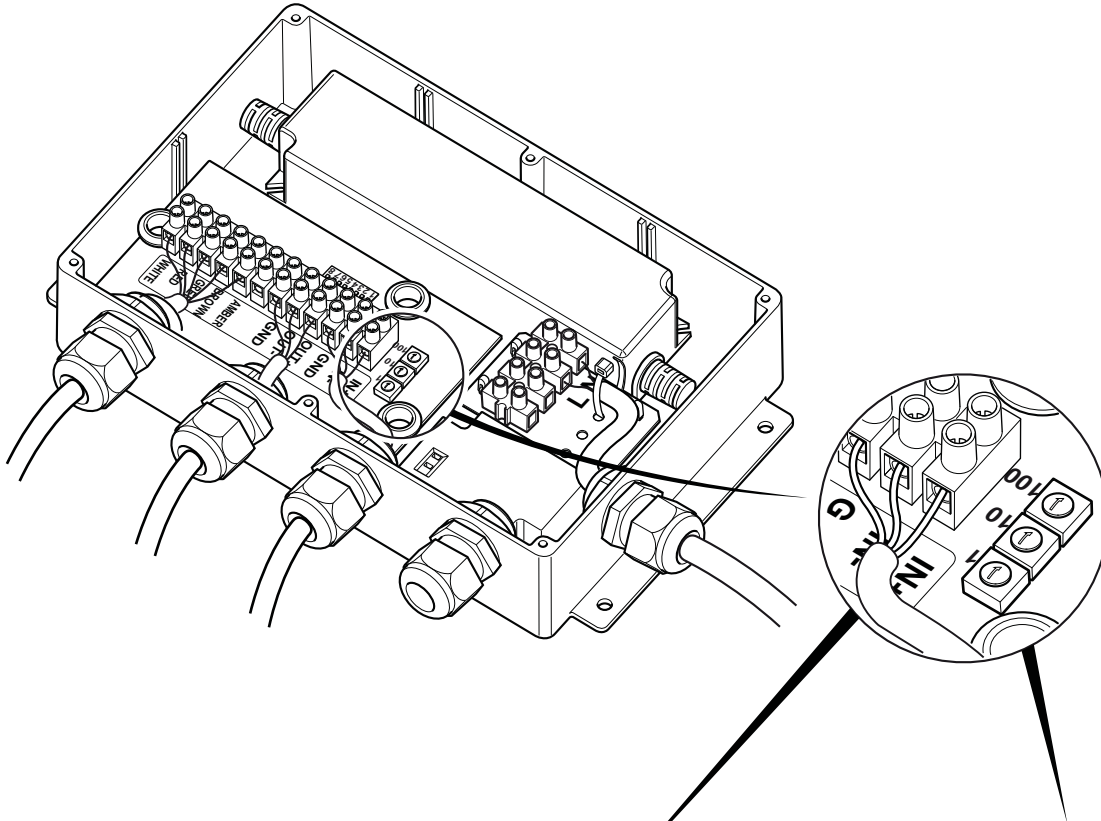


	SATIN2 MRE L350	SATIN2 MRE L650	SATIN2 MRE L950	SATIN2 MRE L1250
n MAX	22	12	9	7

6 RGBW



	SATIN2 MRE L350	SATIN2 MRE L650	SATIN2 MRE L950	SATIN2 MRE L1250
Lmaxi	220	29	220	29



DMX ADDRESS EXAMPLES



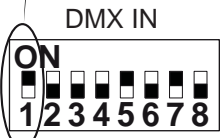
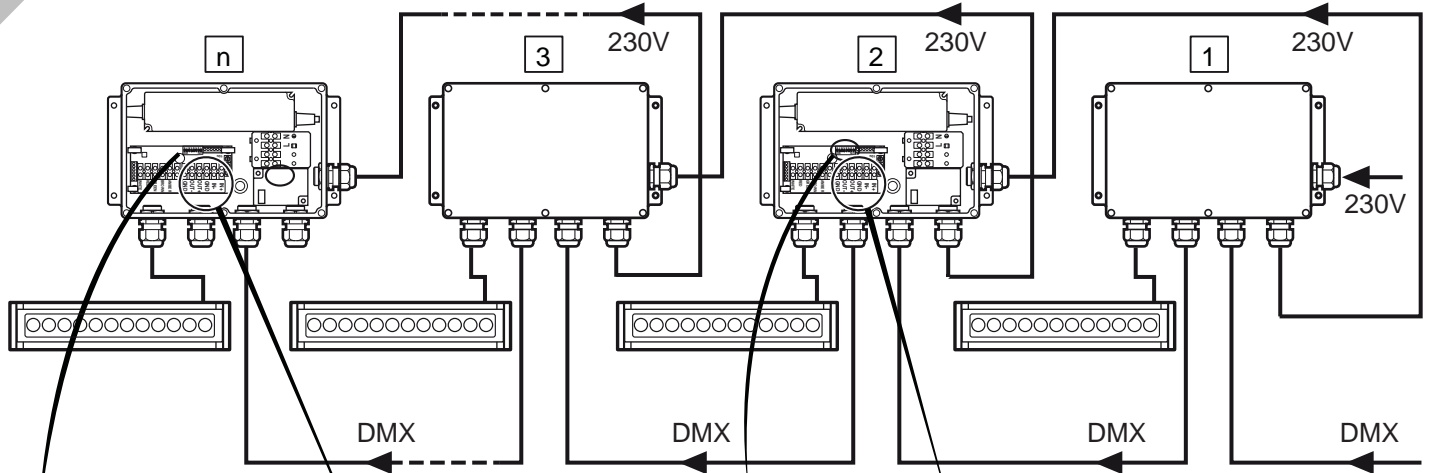
Address	<table border="1"> <tr><td>1</td><td>2</td><td>3</td><td>4</td></tr> <tr><td>0</td><td>←</td><td>5</td><td></td></tr> <tr><td>9</td><td>8</td><td>7</td><td>6</td></tr> </table>	1	2	3	4	0	←	5		9	8	7	6	<table border="1"> <tr><td>1</td><td>2</td><td>3</td><td>4</td></tr> <tr><td>0</td><td>←</td><td>5</td><td></td></tr> <tr><td>9</td><td>8</td><td>7</td><td>6</td></tr> </table>	1	2	3	4	0	←	5		9	8	7	6	<table border="1"> <tr><td>1</td><td>2</td><td>3</td><td>4</td></tr> <tr><td>0</td><td>←</td><td>5</td><td></td></tr> <tr><td>9</td><td>8</td><td>7</td><td>6</td></tr> </table>	1	2	3	4	0	←	5		9	8	7	6
1	2	3	4																																				
0	←	5																																					
9	8	7	6																																				
1	2	3	4																																				
0	←	5																																					
9	8	7	6																																				
1	2	3	4																																				
0	←	5																																					
9	8	7	6																																				
001	0 ←	0 ←	1 ↘																																				

Address	<table border="1"> <tr><td>1</td><td>2</td><td>3</td><td>4</td></tr> <tr><td>0</td><td>←</td><td>5</td><td></td></tr> <tr><td>9</td><td>8</td><td>7</td><td>6</td></tr> </table>	1	2	3	4	0	←	5		9	8	7	6	<table border="1"> <tr><td>1</td><td>2</td><td>3</td><td>4</td></tr> <tr><td>0</td><td>←</td><td>5</td><td></td></tr> <tr><td>9</td><td>8</td><td>7</td><td>6</td></tr> </table>	1	2	3	4	0	←	5		9	8	7	6	<table border="1"> <tr><td>1</td><td>2</td><td>3</td><td>4</td></tr> <tr><td>0</td><td>←</td><td>5</td><td></td></tr> <tr><td>9</td><td>8</td><td>7</td><td>6</td></tr> </table>	1	2	3	4	0	←	5		9	8	7	6
1	2	3	4																																				
0	←	5																																					
9	8	7	6																																				
1	2	3	4																																				
0	←	5																																					
9	8	7	6																																				
1	2	3	4																																				
0	←	5																																					
9	8	7	6																																				
059	<table border="1"> <tr><td>1</td><td>2</td><td>3</td><td>4</td></tr> <tr><td>0</td><td>←</td><td>5</td><td></td></tr> <tr><td>9</td><td>8</td><td>7</td><td>6</td></tr> </table>	1	2	3	4	0	←	5		9	8	7	6	<table border="1"> <tr><td>1</td><td>2</td><td>3</td><td>4</td></tr> <tr><td>0</td><td>→</td><td>5</td><td></td></tr> <tr><td>9</td><td>8</td><td>7</td><td>6</td></tr> </table>	1	2	3	4	0	→	5		9	8	7	6	<table border="1"> <tr><td>1</td><td>2</td><td>3</td><td>4</td></tr> <tr><td>0</td><td>↗</td><td>5</td><td></td></tr> <tr><td>9</td><td>8</td><td>7</td><td>6</td></tr> </table>	1	2	3	4	0	↗	5		9	8	7	6
1	2	3	4																																				
0	←	5																																					
9	8	7	6																																				
1	2	3	4																																				
0	→	5																																					
9	8	7	6																																				
1	2	3	4																																				
0	↗	5																																					
9	8	7	6																																				
099	<table border="1"> <tr><td>1</td><td>2</td><td>3</td><td>4</td></tr> <tr><td>0</td><td>←</td><td>5</td><td></td></tr> <tr><td>9</td><td>8</td><td>7</td><td>6</td></tr> </table>	1	2	3	4	0	←	5		9	8	7	6	<table border="1"> <tr><td>1</td><td>2</td><td>3</td><td>4</td></tr> <tr><td>0</td><td>↗</td><td>5</td><td></td></tr> <tr><td>9</td><td>8</td><td>7</td><td>6</td></tr> </table>	1	2	3	4	0	↗	5		9	8	7	6	<table border="1"> <tr><td>1</td><td>2</td><td>3</td><td>4</td></tr> <tr><td>0</td><td>↗</td><td>5</td><td></td></tr> <tr><td>9</td><td>8</td><td>7</td><td>6</td></tr> </table>	1	2	3	4	0	↗	5		9	8	7	6
1	2	3	4																																				
0	←	5																																					
9	8	7	6																																				
1	2	3	4																																				
0	↗	5																																					
9	8	7	6																																				
1	2	3	4																																				
0	↗	5																																					
9	8	7	6																																				
126	<table border="1"> <tr><td>1</td><td>2</td><td>3</td><td>4</td></tr> <tr><td>0</td><td>↘</td><td>5</td><td></td></tr> <tr><td>9</td><td>8</td><td>7</td><td>6</td></tr> </table>	1	2	3	4	0	↘	5		9	8	7	6	<table border="1"> <tr><td>1</td><td>2</td><td>3</td><td>4</td></tr> <tr><td>0</td><td>↘</td><td>5</td><td></td></tr> <tr><td>9</td><td>8</td><td>7</td><td>6</td></tr> </table>	1	2	3	4	0	↘	5		9	8	7	6	<table border="1"> <tr><td>1</td><td>2</td><td>3</td><td>4</td></tr> <tr><td>0</td><td>↘</td><td>5</td><td></td></tr> <tr><td>9</td><td>8</td><td>7</td><td>6</td></tr> </table>	1	2	3	4	0	↘	5		9	8	7	6
1	2	3	4																																				
0	↘	5																																					
9	8	7	6																																				
1	2	3	4																																				
0	↘	5																																					
9	8	7	6																																				
1	2	3	4																																				
0	↘	5																																					
9	8	7	6																																				
154	<table border="1"> <tr><td>1</td><td>2</td><td>3</td><td>4</td></tr> <tr><td>0</td><td>↗</td><td>5</td><td></td></tr> <tr><td>9</td><td>8</td><td>7</td><td>6</td></tr> </table>	1	2	3	4	0	↗	5		9	8	7	6	<table border="1"> <tr><td>1</td><td>2</td><td>3</td><td>4</td></tr> <tr><td>0</td><td>→</td><td>5</td><td></td></tr> <tr><td>9</td><td>8</td><td>7</td><td>6</td></tr> </table>	1	2	3	4	0	→	5		9	8	7	6	<table border="1"> <tr><td>1</td><td>2</td><td>3</td><td>4</td></tr> <tr><td>0</td><td>↗</td><td>5</td><td></td></tr> <tr><td>9</td><td>8</td><td>7</td><td>6</td></tr> </table>	1	2	3	4	0	↗	5		9	8	7	6
1	2	3	4																																				
0	↗	5																																					
9	8	7	6																																				
1	2	3	4																																				
0	→	5																																					
9	8	7	6																																				
1	2	3	4																																				
0	↗	5																																					
9	8	7	6																																				

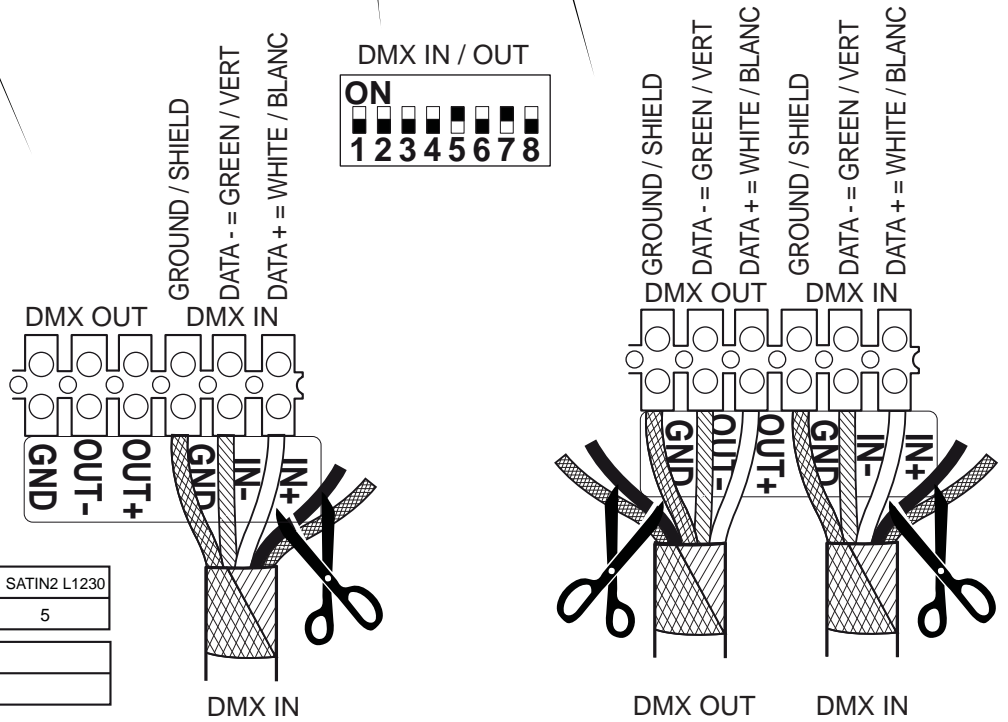
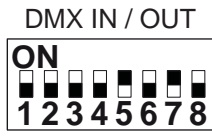
AUTOMATIC MODES

Mode	<table border="1"> <tr><td>1</td><td>2</td><td>3</td><td>4</td></tr> <tr><td>0</td><td>←</td><td>5</td><td></td></tr> <tr><td>9</td><td>8</td><td>7</td><td>6</td></tr> </table>	1	2	3	4	0	←	5		9	8	7	6	<table border="1"> <tr><td>1</td><td>2</td><td>3</td><td>4</td></tr> <tr><td>0</td><td>←</td><td>5</td><td></td></tr> <tr><td>9</td><td>8</td><td>7</td><td>6</td></tr> </table>	1	2	3	4	0	←	5		9	8	7	6	<table border="1"> <tr><td>1</td><td>2</td><td>3</td><td>4</td></tr> <tr><td>0</td><td>←</td><td>5</td><td></td></tr> <tr><td>9</td><td>8</td><td>7</td><td>6</td></tr> </table>	1	2	3	4	0	←	5		9	8	7	6
1	2	3	4																																				
0	←	5																																					
9	8	7	6																																				
1	2	3	4																																				
0	←	5																																					
9	8	7	6																																				
1	2	3	4																																				
0	←	5																																					
9	8	7	6																																				
Test	0	0	0																																				
Rainbow RGB	6	1	0 → 9 																																				
Pastel	6	2																																					
Warm	6	3																																					
Cold	6	4																																					
Rainbow RGBW	6	5																																					
Shiny	6	6																																					

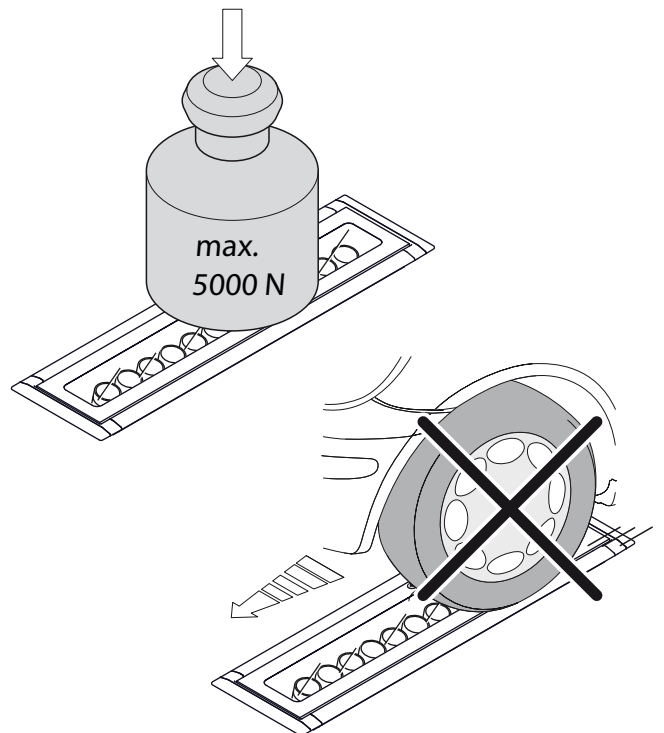
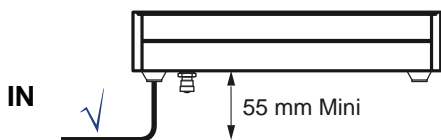
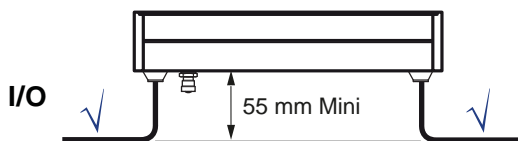
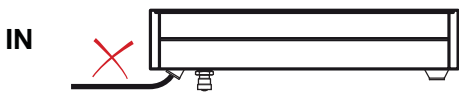
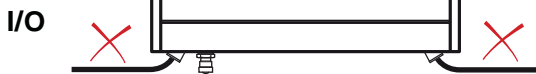
RGBW - DMX

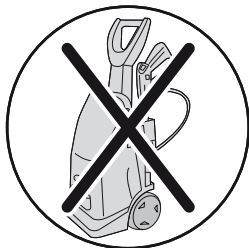


Resistor
120 ohm



230V	SATIN2 L330	SATIN2 L630	SATIN2 L930	SATIN2 L1230
n MAX	23	12	7	5
DMX	SATIN2			
n MAX	30 (200m max)			





UK Luminaire must not be cleaned by means of high-pressure washer.

DE Reinigung der Leuchte mit Hochdruckreiniger unzulässig.

CZ Čištění světel vysokotlakými čističi není povoleno.

DK Det er ikke tilladt at rengøre lampen med højtryksrensere.

EE Valgusti puhastamine survepesuriga on keelatud.

FI Valaisimen puhdistamiseen ei saa käyttää painepesuria.

FR Nettoyage du luminaire non autorisé avec un nettoyeur haute pression.

HU Nagynyomású tisztítógéppel tisztítani tilos!

IT Non è consentito pulire gli apparecchi con macchine pulitrici ad alta pressione.

LT Valyti žibintą didžiaslėgiu valymo įrenginiu draudžiama.

LV Gaismekli aizliegts tīrīt ar augstspiediena mazgāšanas ierīcēm.

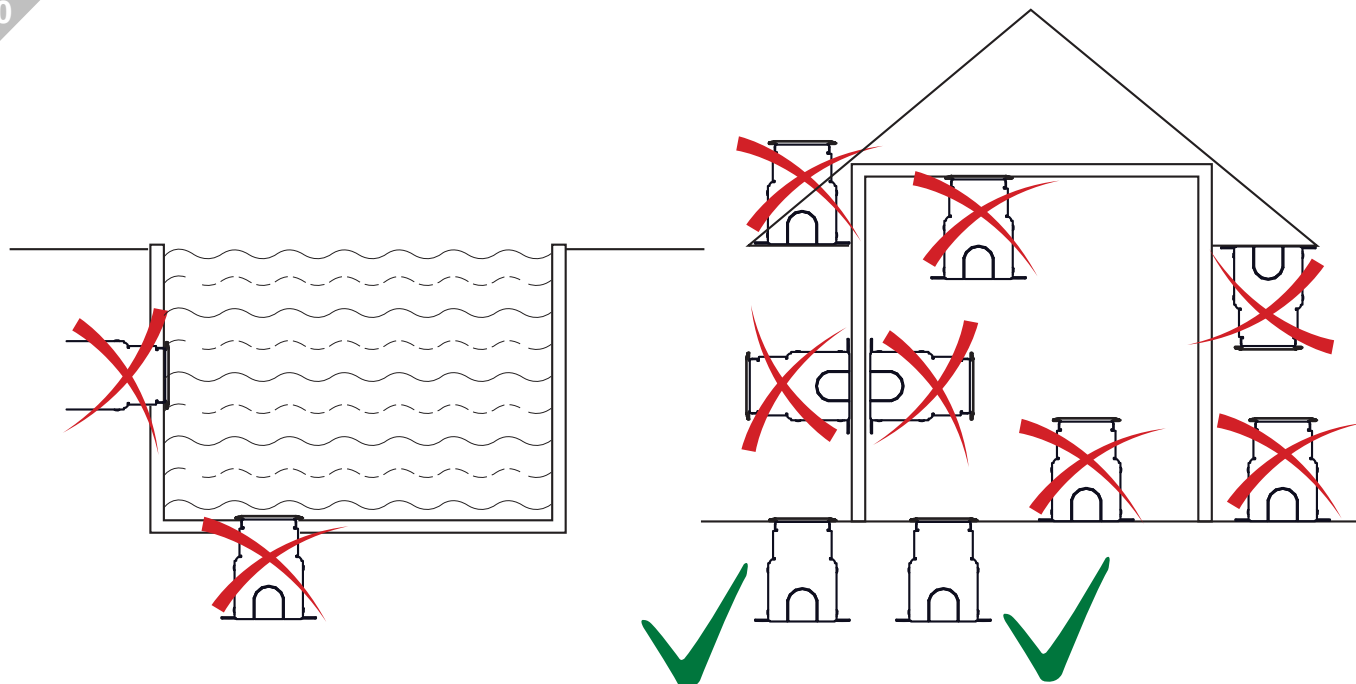
NO Lampen må ikke rengjøres med høytrykksspyler.

PL Czyszczenie oprawy urządzeniami wysokociśnieniowymi jest niedozwolone.

SE Rengöring av armaturen med högtryckstvätt är inte tillåten.

RU Чистка светильника высоконапорным очистителем не допускается.

10



FRANCAIS

- Remplacer toute protection fissurée.
- Les luminaires classe II doivent être installés de façon à ce que la partie métallique ne soit pas en contact avec l'installation électrique connectée à la terre.

ATTENTION: Les luminaires classe I doivent être reliés à la terre.

- Ce luminaire fonctionne à une tension nominale qui doit être coupée avant toute intervention sur l'appareillage.
- Toute modification de cet appareil est interdite.
- Respecter la distance minimale par rapport aux objets éclairés définie par ce sigle.

SVERIGE

- Ersätta alla spräckta skyddsplåtar.
- Klass II armaturer måste installeras så att nakna metalldelar i armaturen inte är i kontakt med någon elektrisk installation, kopplad till en skyddledare.

WARNING: Klass I armaturer måste vara jordade.

- Denna armatur fungerar med högspänning som måste vara frånslagen före ingripande i driftdonen.
- Alla ändringar i denna armatur är förbjuden.

ITALIANO

- Sostituire sempre tutte le protezioni danneggiate.
- Gli apparecchi in classe II devono essere installati in modo che le parti metalliche non siano in contatto con apparati elettrici collegati a terra.

ATTENZIONE: Gli apparecchi in classe I devono essere collegati a terra.

- Questo apparecchio funziona a tensione nominale, questa deve essere interrotta prima di ogni intervento sul gruppo di alimentazione.
- Ogni modifica dell'apparecchio è proibita.

ENGLISH

- Replace any cracked protective shield.
- Class II luminaires must be installed so that exposed metal work of the luminaire is not in contact with any part of the electrical installation connected to a protective conductor.

WARNING: Class I luminaires must be earthed.

- This luminaire operates at mains voltage which must be switched off before intervention in control gear.
- Any modification to this luminaire is forbidden.
- Lighted objects nearer than the minimal distance in the is forbidden.

DEUTSCH

- Ersetze jede gebrochene Schutzscheibe.
- Schutzklasse II Leuchten müssen so installiert werden, daß berührbare Metallteile nicht mit einem, an dem Schutzleiter angeschlossenen Teil der elektrischen Installation in Kontakt kommen können.

ACHTUNG: Schutzklasse I Leuchten müssen geerdet sein.

- Diese Leuchte wird mit Netzspannung betrieben. Bevor Eingriffe am Vorschaltgerät vorgenommen werden sowie vor Wartung und Installation, ist die Versorgungsspannung abzuschalten.
- Jede Änderung an dieser Leuchte ist verboten.

SUOMI

- Rikkoontunut suoja-lasi vaihdettava välittömästi uuteen vastaavaan.
- Asennettaessa suoja-luokan II valaisinta on peruseristetyh johdon ja kosketeltävien metalliosien välinen kosketus tehokkaasti eristettävä.

VAROITUS: Suoja-luokan I valaisin täytyy maadoittaa.

- Verkköjännite on kytkettävä pois ennen valaisimen huoltotoimenpiteitä.
- Valaisimen rakennetta ei saa muuttaa.