

**THORN**  
LIGHTING



**KATONA**

The next generation wall light





# **FUNCTIONAL LIGHTING FACES MANY CHALLENGES**

Katona is the problem solver you have been waiting for. A wall light that combines market-leading efficiency with easy installation and protection against water, dust and impact damage. A powerful lighting tool that solves many lighting tasks.



**MORE INFORMATION**  
THORNLIGHTING.COM/KATO

# KATONA

## THE PROBLEM SOLVER FOR ALMOST ANY LIGHTING TASK

School and campus environments can be challenging. Besides the right lighting for the actual task of learning, various other lighting tasks also need to be addressed, almost 365 days a year 24 hours a day. So, you need a real problem solver that can fulfil these demands all the way from the bicycle storage sheds, through the staircases and hallways, into the dorms and up to the cafeteria.

Katona has the complete package of solutions. From lighting controls, state of the art lithium ION emergency technology, vandal resistant screws, moisture/dust resistance and robustness (IP65 / IK10). It is easily installed with a rotatable LED board that provides high efficiency and a diffuse lighting distribution, with no visible LED dots.



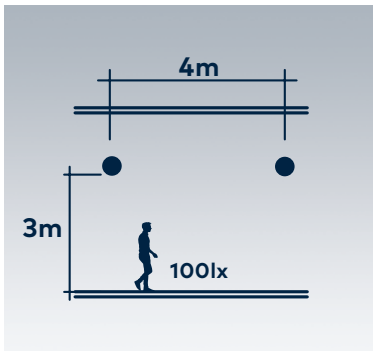
## EASY INSTALLATION





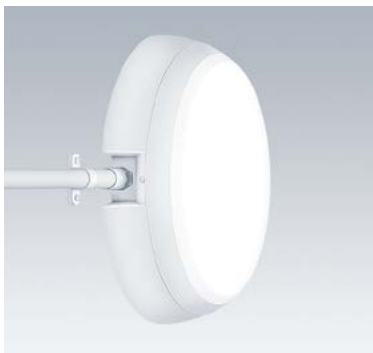
## For almost any application

Katona can be used in outdoor areas, thanks to its IP65 rating and its ultra-robust IK10 rating for impact protection. With Katona we are offering a solution for multiple applications and environments: hallways, staircases, storage rooms, bicycle storages. Indoors and outdoors. One product with many possibilities.



## The answer to your lighting needs

Katona is the right product to add to your specification. Achieves a spacing of 4m between luminaires and ensures you have 100 lx on the floor, in accordance with EN12464. Options of two colour temperatures, round and square designs and three luminous flux levels.



## Ideal for refurbishment

Katona offers an efficacy of up to 120 lm/W and helps to reduce energy consumption significantly. Additional savings can be achieved by using a presence detector and for a refurbishment project there is a deep body option that allows for side entry conduit. To avoid re-wiring costs, the use of a wireless controls system can be recommended.

# KATC



## EASY TO INSTALL

The rotatable LED board stays linked to the luminaire while mounting it to the wall or ceiling.



## EMERGENCY

The state of the art lithium ion battery operates in emergency mode for three hours with manual (E3) and self-test (E3D) options, and carries its own three-year warranty. A central battery compatible version is also available.



## ACCESSORY

A security bezel as an accessory offers security options for healthcare and educational applications.



## VANDAL RESISTANT SCREWS



## CONTROLS

MICROWAVE, BLUETOOTH, BASICDIM, MOBILE APPS, DALI (Corridor function, Presence detection and daylight harvesting available)



## DIFFUSE LIGHTING DISTRIBUTION

with no visible led spots



# ONA



**PC**

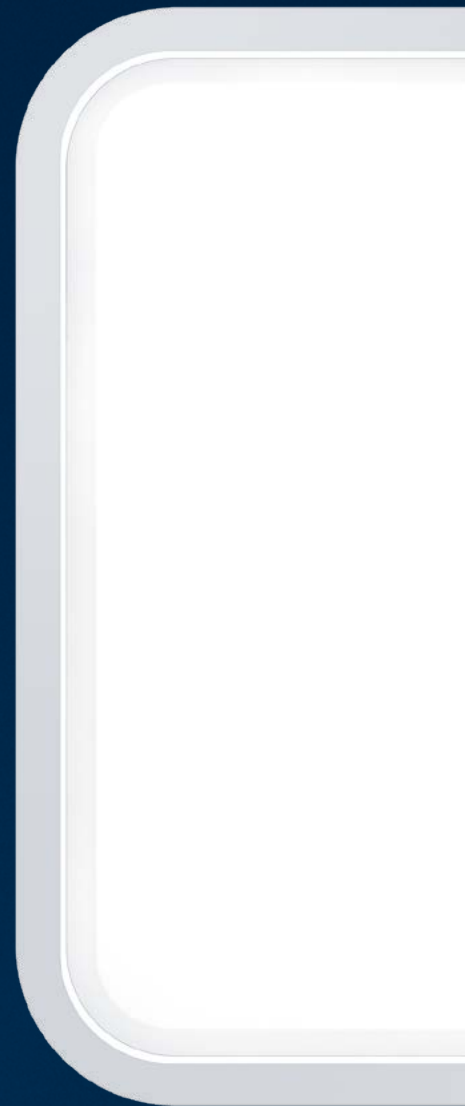
**DIFFUSOR AND BODY IN  
POLYCARBONAT (PC)**

(UV stabilized, impact resistant,  
heat resistant, flame retardant)



**TWO DESIGNS**

Square and round

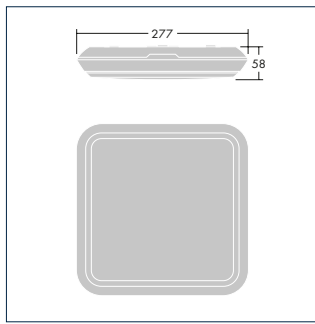


# TECHNICAL DATA

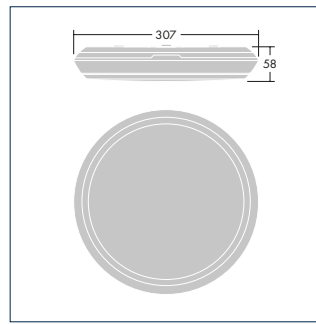


<p>1000 LM 1400 LM 2000 LM</p>	<p>UP TO 120 LM/W</p>	<p>3000 K 4000 K</p>	<p>IK10</p>	<p>50 000 HOURS L80@TA 25°C</p>	<p>CRI 80</p>
<p>MICROWAVE, BLUETOOTH, BASICDIM, MOBILE APPS, DALI</p>	<p>E3 + E3D + CENTRAL BATTERY</p>	<p>-15°C TO +35°C (0°C TO +35°C FOR EMERGENCY VERSIONS)</p>	<p>MADE IN UK</p>	<p>IP65</p>	<p>SLIM DESIGN</p>

## DIMENSIONS

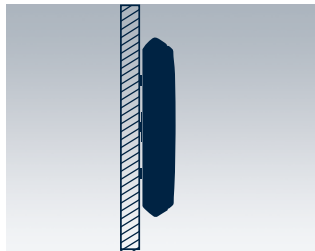


Square

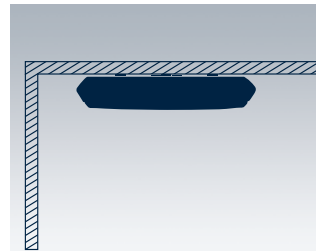


Round

## MOUNTING OPTIONS



Wall



Ceiling

## APPLICATIONS

<p>INDUSTRY</p>	<p>EDUCATION</p>
<p>RETAIL</p>	<p>OFFICE</p>
<p>RESIDENTIAL</p>	<p>OUTDOOR</p>



5 YEAR  
GUARANTEE

As a globally leading luminaire manufacturer, Thorn Lighting provides a five-year warranty for its complete product range within all European Countries.  
thornlighting.com/guarantee

Thorn Lighting is constantly developing and improving its products. All descriptions, illustrations, drawings and specifications in this publication present only general particulars and shall not form part of any contract. The right is reserved to change specifications without prior notification or public announcement. All goods supplied by the company are supplied subject to the company's General Conditions of Sale, a copy of which is available on request. All measurements are in millimetres and weights in kilograms unless otherwise stated.  
02/2020 (INT)

**WE  
MAKE  
LIGHT  
WORK**