


Voyager Style

THORN

96631611 VOYAGER STYLE 150 MS ECC SM-S WH

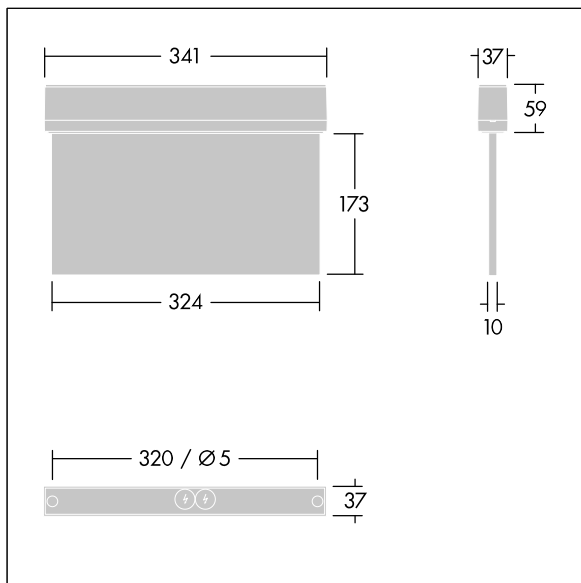
IP43 IK03  T_a-10
+40

Voyager Style

Ultra slim LED escape sign luminaire for surface mounted, wall or ceiling mounting; recessed ceiling mounting possible with optional recessed ceiling frame; Luminaire for central emergency light supply, with circuit monitoring, without single monitoring of the luminaire; ; housing made of polycarbonate ; luminaire easy to install; Quick fit terminal block, through wiring possible up to 2,5 mm²; supplied with a set of ISO 7010 mountable direction signs (left, right, up, down and blank) for viewing from a maximum distance of 30 m; mounting of signs with discrete mounting pins; zero maintenance thanks to LED technology; service life of 50,000 h at constant luminous flux; uniform backlighting of pictogram; luminance > 500 cd/m² in the white region; Power supply: 220/240 V AC; Luminaire input power: 6.3 W; degree of protection: IP43, class of protection: Class II electrical; Impact strength: Impact strength: IK03; Dimensions: 341 x 37 x 230 mm; weight: 1.02 kg



TLG_VYST_F_150MS_RT.jpg



TLG_VYST_M_150MS.wmf

Los valores marcados con un * son valores de referencia. Los valores son aplicables para una temperatura ambiente de 25 °C, a no ser que se indique de otro modo.

Los productos de Thorn Lighting están sujetos a un continuo desarrollo. Nos reservamos el derecho de planificar en nuestros productos sin publicaciones técnicas ni otras modificaciones formales.

© Thorn Lighting