


# Voyager Style

THORN

96631612 VOYAGER STYLE 150 MS ECS SM-S WH

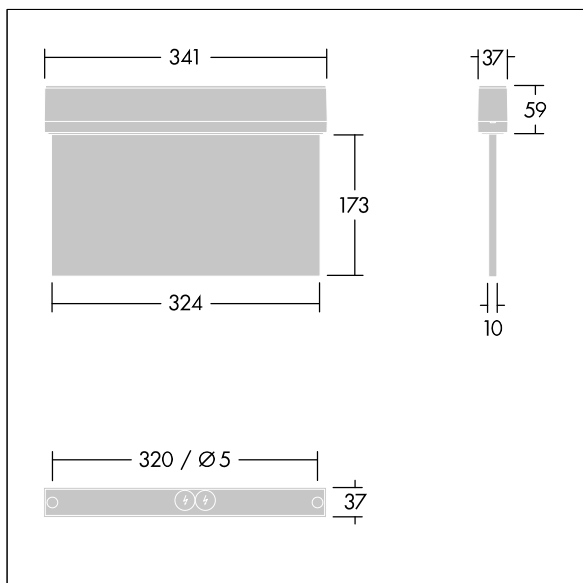
IP43 IK03   $T_{a-10}$   
 $+40$

## Voyager Style

Ultra slim LED escape sign luminaire for surface mounted, wall or ceiling mounting; recessed ceiling mounting possible with optional recessed ceiling frame; Luminaire for central emergency light supply, for single luminaire monitoring via Powerline on the CPS system, settable emergency light level; Non-maintained and maintained mode settable via the central battery system; housing made of polycarbonate; luminaire easy to install; Quick fit terminal block, through wiring possible up to 2,5 mm<sup>2</sup>; supplied with a set of ISO 7010 mountable direction signs (left, right, up, down and blank) for viewing from a maximum distance of 30 m; mounting of signs with discrete mounting pins; zero maintenance thanks to LED technology; service life of 50,000 h at constant luminous flux; uniform backlighting of pictogram; luminance > 500 cd/m<sup>2</sup> in the white region; Power supply: 220/240 V AC; Luminaire input power: 6.7 W; degree of protection: IP43, class of protection: Class II electrical; Impact strength: Impact strength: IK03; Dimensions: 341 x 37 x 230 mm; weight: 1.01 kg



TLG\_VYST\_F\_150MS\_RT.jpg



TLG\_VYST\_M\_150MS.wmf

Los valores marcados con un \* son valores de referencia. Los valores son aplicables para una temperatura ambiente de 25 °C, a no ser que se indique de otro modo.

Los productos de Thorn Lighting están sujetos a un continuo desarrollo. Nos reservamos el derecho de planificar en nuestros productos sin publicaciones técnicas ni otras modificaciones formales.

© Thorn Lighting