

Voyager Solid

THORN

96634938 VOYAGER SOLID L P MS HP E3D WH

IEC EN 60598-1 RG 1	IP65	IK07	CE	T _a 0 +35
---------------------------	------	------	----	-------------------------

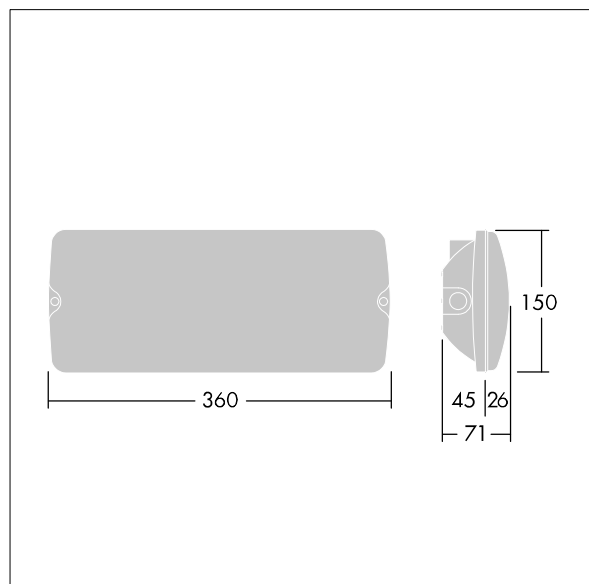
Voyager Solid

IP65 LED safety luminaire for surface ceiling mounting; semi-recessed mounting possible with optional mounting frame; luminaire with local battery supply for 3h emergency lighting; display of luminaire status via status LED; automatic test via luminaire, optional central luminaire monitoring via DALI line; settable emergency light level; non-maintained and maintained mode settable via jumper and NFC; addressing alternatively possible visually or via EZ-addressing; cable length from emergency power source to last luminaire: 300 m; housing made of polycarbonate white; cover made of transparent polycarbonate; tool-less 'click' mounting after fitting the housing base; quick fit terminal block, through wiring possible up to 2,5 mm²; zero maintenance thanks to LED technology; service life of 50,000 h; rated supply voltage: 220/240 V; luminaire input power: max. 12 W; degree of protection: IP65; class of protection: SC2; impact strength: IK07; dimensions: 360 x 71 x 150 mm; weight: 1.45 kg

Self-contained emergency luminaires rely on long-lasting batteries. Thorn batteries are robust and comes with a three-year guarantee (applicable subject to the terms and conditions of and to the extent as set forth in the manufacturer's guarantee on Thorn products, which shall be applicable analogously and which is available under http://www.thornlighting.com/en/products/5-year-guarantee/5-year-warranty/terms-of-guarantee_en.pdf. The battery guarantee shall not come into effect if the product has been installed later than three(3) months after delivery EXW (Incoterms 2010).



TLG_VYSO_F_OPL.jpg



TLG_VYSO_M_LDL.wmf

Los valores marcados con un * son valores de referencia. Thorn utiliza componentes de fiabilidad y que han pasado los tests de calidad. Sin embargo, la tasa de fallos de la electrónica puede dar lugar a algún fallo aislado de algún LED durante la vida útil del producto. Las normativas internacionales fijan la tolerancia del flujo inicial y carga asociada en $\pm 10\%$. Los valores son aplicables para una temperatura ambiente de 25 °C, a no ser que se indique de otro modo.

Los productos de Thorn Lighting están sujetos a un continuo desarrollo. Nos reservamos el derecho de planificar en nuestros productos sin publicaciones técnicas ni otras modificaciones formales.

© Thorn Lighting

Voyager Solid

96634938 VOYAGER SOLID L P MS HP E3D WH

THORN