

# Voyager Solid

THORN

96635564 VOYAGER SOLID L MS E3BC WH

IEC EN 60598-1 RG 1	IP65	IK07	CE	T <sub>a</sub> 5 40	
---------------------------	------	------	----	------------------------	--

## Voyager Solid

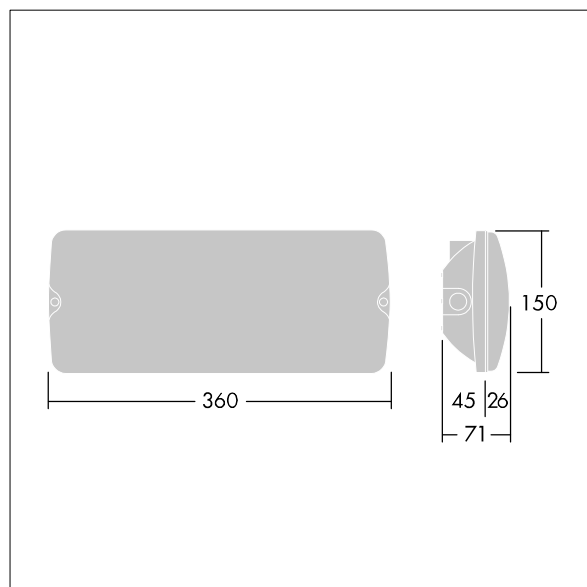
IP65 LED safety luminaire for surface ceiling mounting. Semi-recessed mounting possible with optional mounting frame. Electronic, fixed output control gear Luminaire with local battery supply for 3h emergency lighting in maintained or non-maintained mode with integrated radio module basicDim Wireless (Casambi) for wireless communication with central monitoring system. Radio frequency: 2.4...2.483 GHz, Radio power: +4 dBm. Body: white polycarbonate. Cover: transparent polycarbonate. Class II electrical. Internal ISO legends available for 26m viewing distance (96629768, to be ordered separately).

Self-contained emergency luminaires rely on long-lasting batteries. Voyager Solid's high-tech battery is robust and comes with a three-year guarantee (applicable subject to the terms and conditions of and to the extent as set forth in the manufacturer's guarantee on Thorn products, which shall be applicable analogously and which is available under [http://www.thornlighting.com/en/products/5-year-guarantee/5-year-warranty/terms-of-guarantee\\_en.pdf](http://www.thornlighting.com/en/products/5-year-guarantee/5-year-warranty/terms-of-guarantee_en.pdf). The battery guarantee shall not come into effect if the product has been installed later than three(3) months after delivery EXW (Incoterms 2010).

Dimensions: 360 x 150 x 71 mm  
Luminaire input power: 4.2 W  
Weight: 1.05 kg



TLG\_VYSO\_F\_OPL.jpg



TLG\_VYSO\_M\_LDL.wmf

Los valores marcados con un \* son valores de referencia. Thorn utiliza componentes de fiabilidad y que han pasado los tests de calidad. Sin embargo, la tasa de fallos de la electrónica puede dar lugar a algún fallo aislado de algún LED durante la vida útil del producto. Las normativas internacionales fijan la tolerancia del flujo inicial y carga asociada en  $\pm 10\%$ . Los valores son aplicables para una temperatura ambiente de 25 °C, a no ser que se indique de otro modo.

Los productos de Thorn Lighting están sujetos a un continuo desarrollo. Nos reservamos el derecho de planificar en nuestros productos sin publicaciones técnicas ni otras modificaciones formales.

© Thorn Lighting