

# Voyager One

# THORN

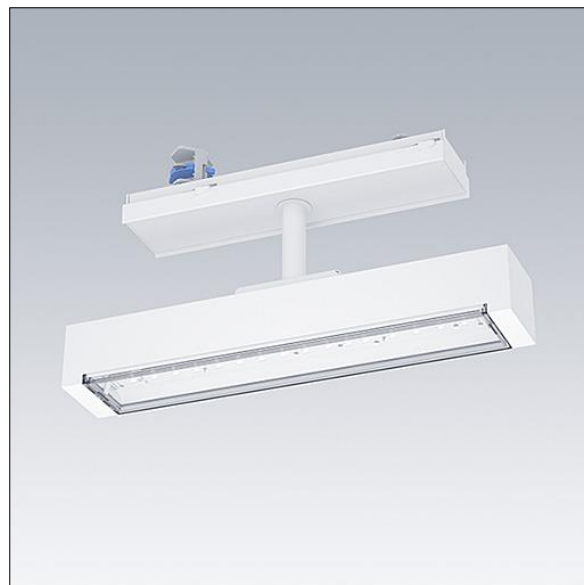
## 96636588 VOYAGER ONE CON ANT E3 S WH

$T_a$ -5 +30	IP20	IK03		CE	$T_a$ 0 +35	
-----------------	------	------	--	----	----------------	--

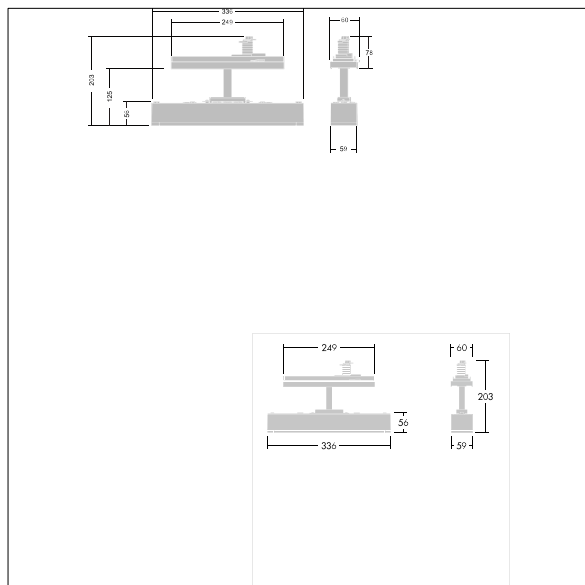
### Voyager One

Slim IP20 LED emergency lighting luminaire; Self contained luminaire, manual test (3 hours); non-maintained and maintained mode possible; display of luminaire status via status LED; additional click-optics optimised for escape routes and open areas from higher mounting heights available; Click in legends for viewing from a maximum distance of 23 m and 30 m available to convert to escape sign luminaire; housing made of polycarbonate white; cover mode of transparent polycarbonate; Tool-less 'click' mounting; zero maintenance thanks to LED technology; service life of 50,000 h at constant luminous flux; Power supply: 220/240 V AC; Luminaire input power: 4 W; IP20; class of protection: SC2; Impact strength: IK03; Dimensions: 336 x 59 x 158 mm; weight: 0.65 kg

Self-contained emergency luminaires rely on long-lasting batteries. Thorn batteries are robust and comes with a three-year guarantee (applicable subject to the terms and conditions of and to the extent as set forth in the manufacturer's guarantee on Thorn products, which shall be applicable analogously and which is available under [http://www.thornlighting.com/en/products/5-year-guarantee/5-year-warranty/terms-of-guarantee\\_en.pdf](http://www.thornlighting.com/en/products/5-year-guarantee/5-year-warranty/terms-of-guarantee_en.pdf). The battery guarantee shall not come into effect if the product has been installed later than three(3) months after delivery EXW (Incoterms 2010).



TLG\_VOYO\_F\_CONTUS.jpg



TLG\_VOYO\_M\_CONTUS.wmf

Los valores marcados con un \* son valores de referencia. Thorn utiliza componentes de fiabilidad y que han pasado los tests de calidad. Sin embargo, la tasa de fallos de la electrónica puede dar lugar a algún fallo aislado de algún LED durante la vida útil del producto. Las normativas internacionales fijan la tolerancia del flujo inicial y carga asociada en  $\pm 10\%$ . Los valores son aplicables para una temperatura ambiente de 25 °C, a no ser que se indique de otro modo.

Los productos de Thorn Lighting están sujetos a un continuo desarrollo. Nos reservamos el derecho de planificar en nuestros productos sin publicaciones técnicas ni otras modificaciones formales.

© Thorn Lighting

# Voyager One

96636588 VOYAGER ONE CON ANT E3 S WH

THORN