

Voyager Blade 2

THORN

96636562 VOYAGER BLADE 2 115 P CON ELP WH

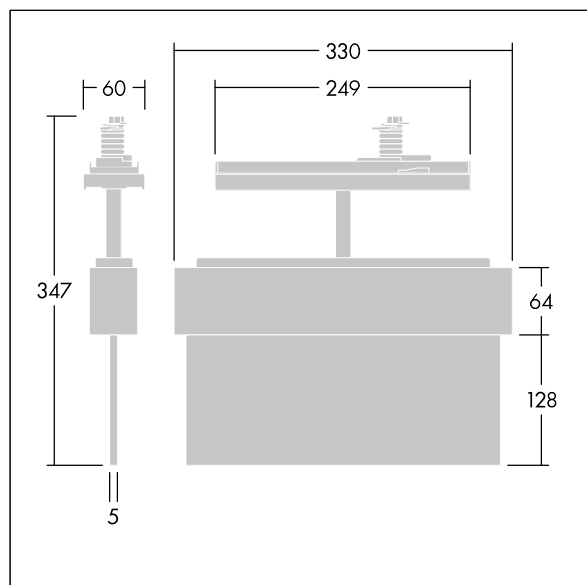
T_a 0 +40	IP20	IK03					
-------------------	------	------	--	--	--	--	--

Voyager Blade 2

LED Escape sign luminaire; Luminaire for central emergency light supply, for single luminaire monitoring via Powerline in connection with the nBox system, Addressing and Non-maintained/maintained mode setting possible via nBox system, maintained mode as default. , housing made of polycarbonate white (RAL 9016), injection moulded; luminaire easy to install; supplied with a set of ISO 7010 mountable direction signs (left, right, up, down and blank) for viewing from a maximum distance of 23 m; zero maintenance thanks to LED technology; service life of 50,000 h at constant luminous flux; uniform backlighting of pictogram; luminance > 500 cd/m² in the white region acc DIN4844. Power supply: 48 V DC (FELV); Luminaire input power: 2.3 W; degree of protection: IP20, class of protection: Class II electrical; Impact strength: IK03; ambient temperature: 0°C to +40°C dimensions of luminaire including escape sign: Dimensions: 330 x 45 x 340 mm; weight: 1.05 kg



TLG_VOB2_F_115_DN_CONTUS.jpg



TLG_VOB2_M_115_CONTUS.wmf

Los valores marcados con un * son valores de referencia. Los valores son aplicables para una temperatura ambiente de 25 °C, a no ser que se indique de otro modo.

Los productos de Thorn Lighting están sujetos a un continuo desarrollo. Nos reservamos el derecho de planificar en nuestros productos sin publicaciones técnicas ni otras modificaciones formales.

© Thorn Lighting